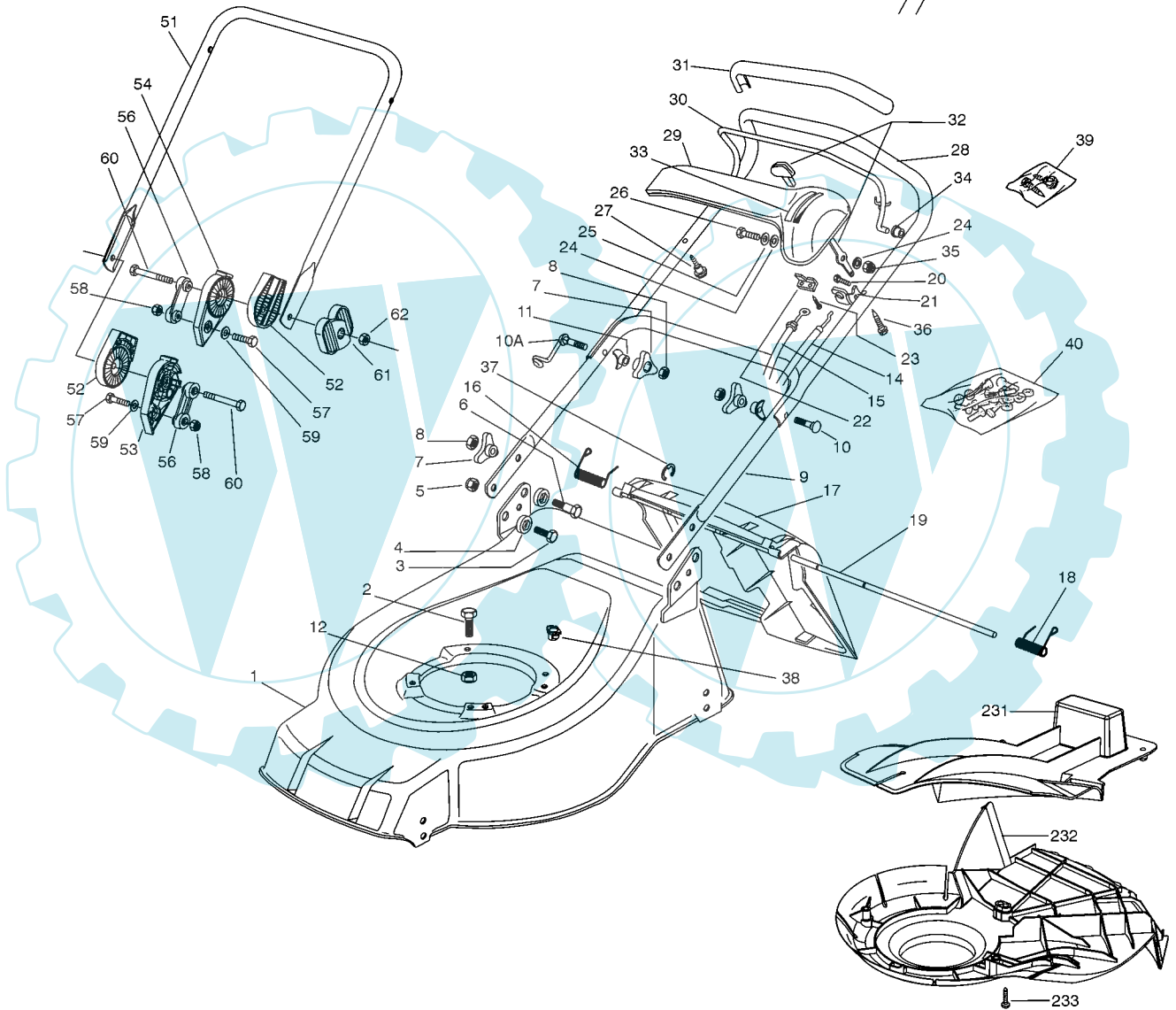
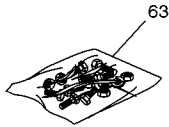
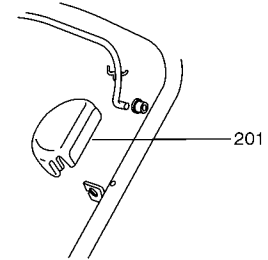
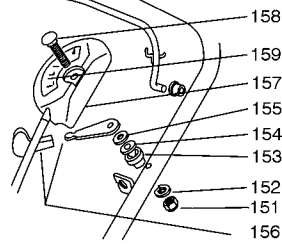
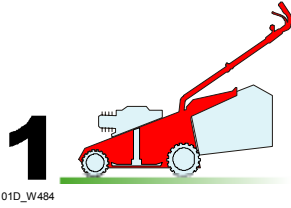


GLOBAL GARDEN PRODUCTS



Pos.	Code	Q.ty	Descrizione	Description	Description	Beschreibung	Remarks
1	81002609/0	1	CHASSIS GIALLO	DECK YELLOW	CHÂSSIS JAUNE	GEHÄUSE GELB	(W484)
-	81002601/0	1	CHASSIS ROSSO	DECK RED	CHÂSSIS ROUGE	GEHÄUSE ROT	(W484)
-	81002611/0	1	CHASSIS GIALLO	DECK YELLOW	CHÂSSIS JAUNE	GEHÄUSE GELB	(W534)
-	81002603/0	1	CHASSIS ROSSO	DECK RED	CHÂSSIS ROUGE	GEHÄUSE ROT	(W534)
2	12691800/0	0/1	VITE	SCREW	VIS	SCHRAUBE	
-	12793701/0	3/2	VITE	SCREW	VIS	SCHRAUBE	
4	22041955/0	4	BUSSOLA	BUSH	DOUILLE	BUCHSE	
5	12155000/0	2	DADO	NUT	ECROU	MUTTER	



102

GLOBAL GARDEN PRODUCTS

Pos.	Code	Q.ty	Descrizione	Description	Description	Beshreibung	Remarks
6	12793700/0	2	VITE	SCREW	VIS	SCHRAUBE	
7	22399900/0	4	MANOPOLINA	KNOB	POIGNÉE	GRIFF	
8	12293200/0	4	DADO	NUT	ECROU	MUTTER	
9	81006512/0	1	MANICO INFERIORE	HANDLE, LOWER PART	MANCHERON INFERIEURE	HOLM, UNTERTEIL	(W484)
-	81006990/0	1	MANICO INFERIORE	HANDLE, LOWER PART	MANCHERON INFERIEURE	HOLM, UNTERTEIL	(W534)
10	12819201/0	1	VITE	SCREW	VIS	SCHRAUBE	
10A	81003801/1	1	MOLLA GUIDA	GUIDE SPRING	RESSORT DE GUIDE	FEDER FÜHRER	
11	22680006/1	2	ROSETTA	WASHER	RONDELLE	SCHEIBE	
12	12293201/0	3/2	DADO	NUT	ECROU	MUTTER	
-	12155000/0	0/1	DADO	NUT	ECROU	MUTTER	
13	12792610/0	2	VITE	SCREW	VIS	SCHRAUBE	
14	81007160/0	1	CAVO ACCELERATORE	CABLE, TROTTLER	CABLE, ACCELERATEUR	KABEL, BESCHLEUNIGER	
15	81000611/0	1	CAVO FRENO MOTORE	CABLE, THREAD MOTOR BRAKE	CABLE FREIN MOTEUR	KABEL, MOTORBREMSE	(SUMEC)
-	81000625/0	1	CAVO FRENO MOTORE	CABLE, THREAD MOTOR BRAKE	CABLE FREIN MOTEUR	KABEL, MOTORBREMSE	(W 484 B&S CLASSIC/SPRINT/LS/LC)
-	81000631/0	1	CAVO FRENO MOTORE	CABLE, THREAD MOTOR BRAKE	CABLE FREIN MOTEUR	KABEL, MOTORBREMSE	(W 484 B&S QUANTUM/ES45)
-	81000641/0	1	CAVO FRENO MOTORE	CABLE, THREAD MOTOR BRAKE	CABLE FREIN MOTEUR	KABEL, MOTORBREMSE	(W 484 HONDA GCV 135/160)
-	81000629/1	1	CAVO FRENO MOTORE	CABLE, THREAD MOTOR BRAKE	CABLE FREIN MOTEUR	KABEL, MOTORBREMSE	(W 484 TECUMSEH)
-	81000643/0	1	CAVO FRENO MOTORE	CABLE, THREAD MOTOR BRAKE	CABLE FREIN MOTEUR	KABEL, MOTORBREMSE	(W 534 B&S CLASSIC/SPRINT/LS/LC)
-	81000642/0	1	CAVO FRENO MOTORE	CABLE, THREAD MOTOR BRAKE	CABLE FREIN MOTEUR	KABEL, MOTORBREMSE	(W 534 B&S QUANTUM/ES45)
-	81000640/0	1	CAVO FRENO MOTORE	CABLE, THREAD MOTOR BRAKE	CABLE FREIN MOTEUR	KABEL, MOTORBREMSE	(W 534 HONDA GCV 135/160)
-	81000644/0	1	CAVO FRENO MOTORE	CABLE, THREAD MOTOR BRAKE	CABLE FREIN MOTEUR	KABEL, MOTORBREMSE	(W 534 TECUMSEH)
16	22450410/1	1	MOLLA DX	R SPRING	RESSORT D	RECHTE FEDER	
17	22600063/1	1	PARASASSI	STONE-GUARD	PARE-PIERRES	PRALLBLECH	
18	22450420/1	1	MOLLA SX	L SPRING	RESSORT G	LINKE FEDER	
19	22517906/1	1	PERNO	PIN	PIVOT	BOLZEN	
20	12728518/0	1	VITE	SCREW	VIS	SCHRAUBE	
21	22806612/0	1	SUPPORTO	SUPPORT	SUPPORT	HALTER	
22	22981467/0	1	PIASTRINA	PLATE	PLAQUETTE	PLÄTTCHEN	
23	12735105/0	2	VITE	SCREW	VIS	SCHRAUBE	
24	12523040/0	2	ROSETTA	WASHER	RONDELLE	SCHEIBE	
25	12530060/0	1	ROSETTA ELASTICA	SPRING WASHER	RONDELLE ELASTIQUE	ELASTISCHE SCHEIBE	
26	12791500/0	1	VITE	SCREW	VIS	SCHRAUBE	
27	22943006/0	1	VITE	SCREW	VIS	SCHRAUBE	
28	81007018/1	1	MANICO, PARTE SUP	HANDLE, UPPER PART	MANCHERON, PARTIE SUPERIEURE	HOLM, OBERTEIL	
29	22120152/0	1	CRUSCOTTO GIALLO	DASH BOARD YELLOW	CONSOLE JAUNE	KONSOLE GELBE	
-	22120158/0	1	CRUSCOTTO NERO	DASH BOARD BLACK	CONSOLE NOIRE	KONSOLE SCHWARZE	
-	22120154/0	1	CRUSCOTTO ROSSO	DASH BOARD RED	CONSOLE ROUGE	KONSOLE ROTE	
30	81003291/3	1	LEVA FRENO MOTORE	LEVER, MOTOR BRAKE	LEVIER FREIN MOTEUR	HEBEL, MOTORBREMSE	
31	22291052/0	1	IMPUGNATURA MANICO GIALLA	HANDGRIP YELLOW	POIGNÉE JAUNE	HANDGRIFF GELBER	
-	22291050/0	1	IMPUGNATURA MANICO NERA	HANDGRIP BLACK	POIGNÉE NOIRE	HANDGRIFF SCHWARZER	
-	22291051/0	1	IMPUGNATURA MANICO ROSSA	HANDGRIP RED	POIGNÉE ROUGE	HANDGRIFF RÖTER	
32	81007280/2	1	LEVA, ACCELERATORE	LEVER, THROTTLE	LEVIER, ACCELERATEUR	HEBEL, BESHLEUNIGER	
33	14356744/0	1	ETICHETTA	LABEL	ETIQUETTE	ETIKETTE	(B&S)
-	14356743/0	1	ETICHETTA	LABEL	ETIQUETTE	ETIKETTE	(HONDA)
-	14361129/0	1	ETICHETTA	LABEL	ETIQUETTE	ETIKETTE	(SUMEC)
-	14357646/0	1	ETICHETTA	LABEL	ETIQUETTE	ETIKETTE	(TECUMSEH)
34	22041966/0	2	BUSSOLA	BUSH	DOUILLE	BUCHSE	
35	12154510/0	1	DADO	NUT	ECROU	MUTTER	
36	12728460/0	1	VITE	SCREW	VIS	SCHRAUBE	
37	12000930/0	1	ANELLO ELASTICO	SNAP RING	ANNEAU RESSORT	SPRENGRING	



GLOBAL GARDEN PRODUCTS

Pos.	Code	Q.ty	Descrizione	Description	Description	Beshreibung	Remarks
38	22291150/0	1	INSERTO IN GOMMA	RUBBER INSERT	INSERT DE GAOUTCHOUC	GUMMI EINSATZ	
39	81008609/0	1	DOTAZIONE VITERIA CRUSCOTTO	OUTFIT, DASH-BOARD SCREWS	DOTATION VISSERIE CONSOLLE	SATZ, KONSOLE SCHRAUBEN	
40	81008614/3	1	DOTAZIONE VITERIA	OUTFIT, SCREWS	DOTATION VISSERIE	SATZ, SCHRAUBEN	

VARIANTE REGOLAZIONE MANICO - HANDLE ADJUSTMENT MODIFICATION - MODIFICATION REGLAGE POIGNEE - ÄNDERUNG GRIFFENSTEEL

Pos.	Code	Q.ty	Descrizione	Description	Description	Beshreibung	Remarks
51	81006532/0	1	MANICO INFERIORE	HANDLE, LOWER PART	MANCHERON INFERIEURE	HOLM, UNTERTEIL	
52	22785081/1	2	SUPPORTO ESTERNO	SUPPORT, EXTERNAL	SUPPORT EXTERNE	HALTER, AUßERE	
53	22785082/0	1	SUPPORTO INTERNO DX	SUPPORT, R INTERNAL	SUPPORT INTERNE D	HALTER, INNERE R	
54	22785083/1	1	SUPPORTO INTERNO SX	SUPPORT, L INTERNAL	SUPPORT INTERNE G	HALTER, INNERE L	
56	22551575/0	2	PIASTRINA INTERNA	PLATE, INSIDE	PLAQUETTE INTERNE	PLATTE, INNERE	
57	12793701/0	2	VITE	SCREW	VIS	SCHRAUBE	
58	12155000/0	2	DADO	NUT	ECROU	MUTTER	
59	12521350/0	2	ROSETTA	WASHER	RONDELLE	SCHEIBE	
60	12691810/0	2	VITE	SCREW	VIS	SCHRAUBE	
61	22399803/0	2	MANOPOLINA	KNOB	POIGNÉE	GRIFF	
62	12293202/0	2	DADO	NUT	ECROU	MUTTER	
63	81008623/1	1	DOTAZIONE VITERIA	OUTFIT, SCREWS	DOTATION VISSERIE	SATZ, SCHRAUBEN	

VARIANTE ACCELERATORE - THROTTLE MODIFICATION - MODIFICATION COMMANDE D'ACCELERATION - ÄNDERUNGEN AUF GASHEBEL

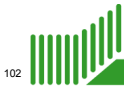
Pos.	Code	Q.ty	Descrizione	Description	Description	Beshreibung	Remarks
151	12291000/0	1	DADO	NUT	ECROU	MUTTER	
152	12581500/0	1	GROWER	GROWER	GROWER	FEDERING	
153	22171005/0	1	DISTANZIALE	SPACER	ENTRETOISE	DISTANZRING	
154	12521360/0	1	ROSETTA	WASHER	RONDELLE	SCHEIBE	
155	12508100/0	1	ROSETTA ELASTICA	SPRING WASHER	RONDELLE ELASTIQUE	ELASTISCHE SCHEIBE	
156	81007279/1	1	LEVA, ACCELERATORE	LEVER, THROTTLE	LEVIER, ACCELERATEUR	HEBEL, BESCHLEUNIGER	
157	81007080/0	1	CAVO ACCELERATORE	CABLE, TROTTLE	CABLE, ACCELERATEUR	KABE, BESCHLEUNIGER	
158	12815000/0	1	VITE	SCREW	VIS	SCHRAUBE	
159	14356703/0	1	ETICHETTA	LABEL	ETIQUETTE	ETIKETTE	(B&S)
-	14356702/0	1	ETICHETTA	LABEL	ETIQUETTE	ETIKETTE	(HONDA)
-	14360197/0	1	ETICHETTA	LABEL	ETIQUETTE	ETIKETTE	(SUMEC)
-	14356905/0	1	ETICHETTA	LABEL	ETIQUETTE	ETIKETTE	(TECUMSEH)

VARIANTE REGIME FISSO - FIXED SPEED MODIFICATION - MODIFICATION POUR MODÈLE À REGIME FIXE - ÄNDERUNGEN FÜR MODELLE MIT FESTEN DRENZAHL

Pos.	Code	Q.ty	Descrizione	Description	Description	Beshreibung	Remarks
201	22601000/0	1	PROTEZIONE	PROTECTION	PROTECTION	SCHUTZ	

VARIANTE MULCHING - MULCHING MODIFICATION - MODIFICATION MULCHING - ÄNDERUNGEN MULCHING

Pos.	Code	Q.ty	Descrizione	Description	Description	Beshreibung	Remarks
231	22140223/0	1	DEFLETTORE	DEFLECTOR	DEFLECTEUR	DEFLEKTOR	(W484)
-	22140222/0	1	DEFLETTORE	DEFLECTOR	DEFLECTEUR	DEFLEKTOR	(W534)
232	22060198/0	1	CARTER	PROTECTION	PROTECTION	SCHUTZ	(W484)
-	22060197/1	1	CARTER	PROTECTION	PROTECTION	SCHUTZ	(W534)
233	12728530/0	3	VITE	SCREW	VIS	SCHRAUBE	

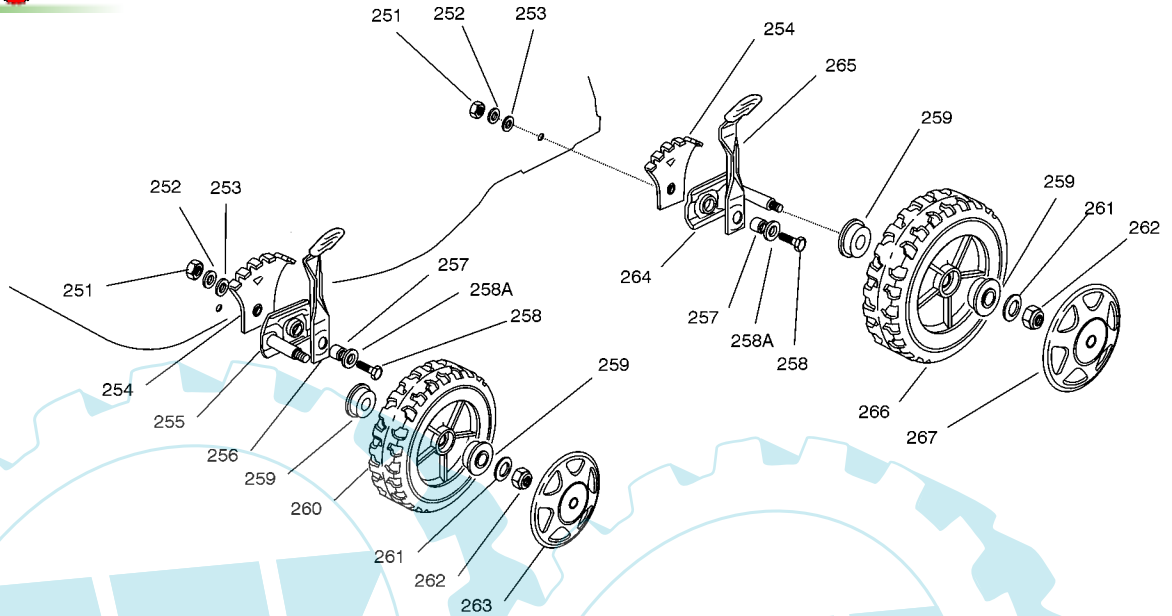
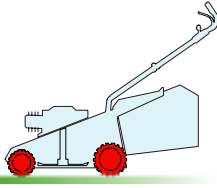


102

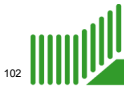
GLOBAL GARDEN PRODUCTS

2

020_035



Pos.	Code	Q.ty	Descrizione	Description	Description	Beschreibung	Remarks
251	12293200/0	4	DADO	NUT	ECROU	MUTTER	
252	12583500/0	4	GROWER	GROWER	GROWER	FEDERRING	
253	12523070/0	4	ROSETTA	WASHER	RONDELLE	SCHEIBE	
254	22735547/0	4	SETTORE REGOLAZIONE ALTEZZA	SECTOR, HEIGHT ADJUSTMENT	SECTEUR REGLAGE HAUTEUR	SEKTOR, HÖHEVERSTELLUNG	
255	81005082/0	2	SUPPORTO RUOTA	SUPPORT, WHEEL	SUPPORT ROUE	HALTER, RAD	
256	81003285/1	2	LEVA REGOLAZIONE ALTEZZA	LEVER, HEIGHT ADJUSTMENT	LEVIER REGLAGE HAUTEUR	HEBEL, HÖNEVERSTELLUNG	
257	22171001/0	4	DISTANZIALE	SPACER	ENTRETOISE	DISTANZRING	
258	12793701/0	4	VITE	SCREW	VIS	SCHRAUBE	
258A	12521350/0	4	ROSETTA	WASHER	RONDELLE	SCHEIBE	
259	22034508/0	8	BUSSOLA	BUSH	DOUILLE	BUCHSE	
260	81007351/0	4	RUOTA Ø 170	WHEEL Ø 170	ROUE Ø 170	RAD. Ø 170	
261	12523060/0	4	ROSETTA	WASHER	RONDELLE	SCHEIBE	
262	12155000/0	4	DADO	NUT	ECROU	MUTTER	
263	22110344/0	2	COPRIMOZZO BIANCO	HUB CAP WHITE	COUVRE-MOYEU BLANC	RADKAPPE WEIßE	
264	81005084/0	2	SUPPORTO RUOTA	SUPPORT, WHEEL	SUPPORT ROUE	HALTER, RAD	
265	81003286/0	2	LEVA REGOLAZIONE ALTEZZA	LEVER, HEIGHT ADJUSTMENT	LEVIER REGLAGE HAUTEUR	HEBEL, HÖNEVERSTELLUNG	
266	81007343/0	2	RUOTA	WHEEL	ROUE	RAD	
267	22110313/0	2	COPRIMOZZO BIANCO	HUB CAP WHITE	COUVRE-MOYEU BLANC	RADKAPPE WEIßE	

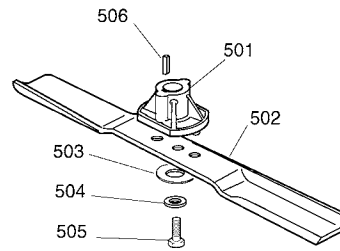
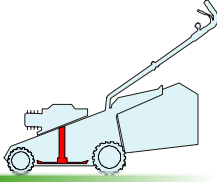


102

GLOBAL GARDEN PRODUCTS

5

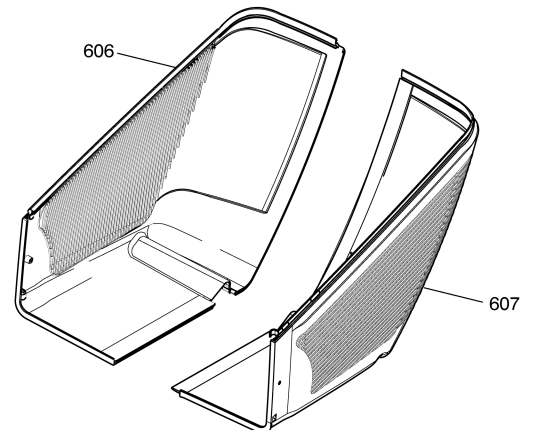
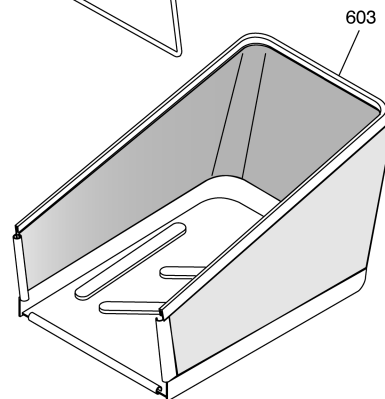
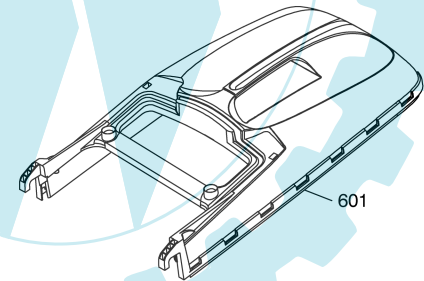
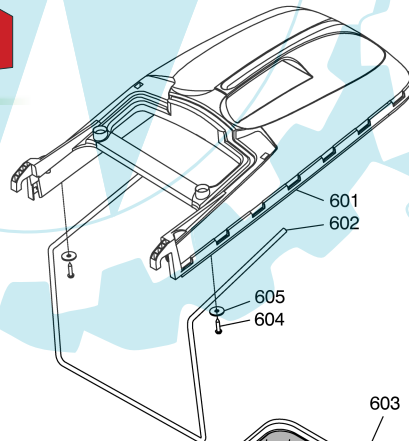
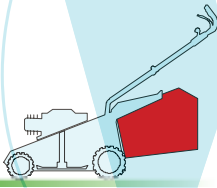
05D_002



Pos.	Code	Q.ty	Descrizione	Description	Description	Beshreibung	Remarks
501	22463012/1	1	MOZZO	HUB	MOYEU	HALTER	
502	81004346/3	1	COLTELLO STANDARD	BLADE STANDARD	LAME STANDARD	MESSER STANDARD	(46 cm)
-	81004381/1	1	COLTELLO STANDARD	BLADE STANDARD	LAME STANDARD	MESSER STANDARD	(51 cm)
503	22160400/0	1	DISCO ELASTICO	ELASTIC WASHER	DISQUE ELASTIQUE	FEDERSCHEIBE	
504	12523080/0	1	ROSETTA	WASHER	RONDELLE	SCHEIBE	
505	12735698/0	1	VITE	SCREW	VIS	SCHRAUBE	
506	12139100/0	1	LINGUETTA	FEATHER	CLAVETTE	KEIL	

6

06D_013



Pos.	Code	Q.ty	Descrizione	Description	Description	Beshreibung	Remarks
601	22486101/0	1	SACCO, PARTE SUP	GRASS-BOX, UPPER PART	SAC, PARTIE SUPERIEURE	KORB, OBERTEIL	
602	22608525/0	1	RINFORZO INF	STIFFENING LOWER	RÉNFORCEMENT INF	VERSTÄRKUNG UNTERE	
603	81002211/0	1	SACCO, TELA	BOX, FABRIC	SAC, TOILE	SACK, TUCK	



GLOBAL GARDEN PRODUCTS

Pos.	Code	Q.ty	Descrizione	Description	Description	Beschreibung	Remarks
604	12728680/0	2	VITE	SCREW	VIS	SCHRAUBE	
605	12523050/0	2	ROSETTA	WASHER	RONDELLE	SCHEIBE	
606	22486150/0	1	SACCO PARTE INF	GRASS-BOX, LOWER PART	SAC, PARTIE INFERIEURE	KORB, UNTERTEIL	(DX)
607	22486151/0	1	SACCO PARTE INF	GRASS-BOX, LOWER PART	SAC, PARTIE INFERIEURE	KORB, UNTERTEIL	(SX)

